



**WORLD'S BEST  
ALLOY BULLBARS**

**East Coast Bullbars (ECB Pty Ltd)**

Tel: 07 3897 5700

Fax: 07 3283 1168

ecb@ecb.com.au www.ecb.com.au

29 Snook St  
Clontarf QLD 4019  
Australia

Po Box 122  
Margate QLD 4019  
Australia

## **8MA60SY, NB6MA60SY, NBMA60SY**

REPLACES: 00.00.00  
REVISED: 13.10.17

### **FITTING INSTRUCTIONS**

#### **MAZDA CX3 02/17on TYPE 8, 63MM SERIES 2 AND 76MM NUDGE BAR VEHICLE FRONTAL PROTECTION SYSTEM (VFPS) FOR AIR BAG & ADR COMPLIANT VEHICLES**

Check installation hardware before commencing.

1. Park the vehicle on level ground and apply the hand brake. Lift bonnet.
2. Remove five plastic push pull clips, two 10mm head bolts and two Phillips head screws from the top of the bumper between the headlights.
3. From the underside of the bumper remove eight 8mm head screws and two plastic push pull clips. Pull down on bumper and remove two 8mm head bolts and two push pull plastic clips. **See figure 1.**
4. Remove two plastic push pull clips from the front of wheel arch, pull out on the bottom of the flare to un-clip the flare from the bumper. Under flare, remove two push pull plastic clips on inner guard to bumper. **See figure 2.**
5. Disconnect fog lights, indicator lights and parking sensors from rear of bumper.
6. Remove one 10mm head bolt from the rear of the wing each side. **See figure 3.** Carefully pull bumper out to unclip bumper from side of guard and forward to unclip from under headlights. Remove bumper.
7. From bumper reinforcement, remove foam impact member and air ducting. Where impact member is plastic, remove four plastic push pull clips and two plastic clips.
8. Remove air ducting from each side of lower section of radiator.
9. Place M10 x 85 bolts and flat washers (supplied) through outer and inner mounts (supplied). Install outer mounting bracket from rear between radiator support and chassis rail, flat plate to inside. Fit ECB steel mounting bracket (supplied) onto front of bumper support and fit flat washer, spring washer and nut (supplied) to outer mounting bracket. Install inner mount from rear of bumper support to match outer mounting bracket. **See figure 4.** Repeat for opposite side of vehicle.
10. Align mounts to centre of vehicle. Use inner measurement of alloy mount on Protection bar as outer measurement on ECB steel mounting brackets on vehicle. **TIGHTEN ALL BOLTS.**
11. Mark and trim foam or plastic impact member and air ducting to fit around steel mount and refit to vehicle. **See figure 5.**
12. Remove the inner parking sensors from the bumper for Nudge Bar and Series 2 Nudge Bar. For type 8 remove all four parking sensors from bumper and the sensor outer covers. Carefully trim lugs from side of centre parking sensor to allow the sensor to sit flat against mount. **See figure 6.**
13. Locate parking sensors into Protection Bar using zip ties supplied for centre mounts. **See figure 7.** For Type 8 use original equipment push in outer sections for side parking sensors and clip parking sensor in from rear (as in original bumper). **See figure 8.**



**WORLD'S BEST  
ALLOY BULLBARS**

**East Coast Bullbars (ECB Pty Ltd)**

Tel: 07 3897 5700

Fax: 07 3283 1168

ecb@ecb.com.au www.ecb.com.au

29 Snook St  
Clontarf QLD 4019  
Australia

Po Box 122  
Margate QLD 4019  
Australia

14. Using ECB 300mm long wire extensions and soldier joiners (supplied) carefully extend the sensor wires of moved parking sensors. For outer sensors, place wiring through bumper before re-joining wiring to sensors. **See figure 9.**
15. Re-fit the bumper in the reverse order of step 2 to 6.
16. Fit the protection bar onto the steel mounting brackets and fasten using M10 x 40 bolts, flat washers, spring washers and nuts (supplied). Align the bar with the vehicle and **tighten all bolts. See figure 10 and 11.**
17. Connect the sensor plugs and cable tie to the sensor mount (Do not over tighten the cable tie). Install the convoluted tubing to the wiring and attach to the vehicle in such a way as to hide the wiring as much as possible.
18. Test the sensors for correct operation.

**ENSURE NUMBER PLATE IS CLEARLY VISABLE**

**Note:** When fitting/refitting the licence plate to the vehicle, ensure there is no obstruction to licence plate vision in accordance with local authorities. If required relocate licence plate to an alternate location.

**Further VFPS Notes:**

- a) Do not attach VFPS to the vehicle using anchorages not intended for this purpose (e.g. engine mounting bolts).
- b) Do not use this product for any vehicle make or model, other than those specified by the VFPS manufacturer.
- c) Do not remove the plaque or label from the VFPS.
- d) Do not modify the structure of the VFPS in any way.
- e) No accessory or fitment should project forward of the VFPS forward profile.
- f) **ENSURE THESE INSTRUCTIONS ARE LEFT WITH VEHICLE OWNER AND/OR OPERATOR.**

**IMPORTANT INFORMATION**

Periodically check bolts and nuts for correct tightness, especially if travelling on rough roads

**FITTING KIT**

|  |   |
|--|---|
| 1 – Pair ECB steel mounts                        | 12 – M10 spring washers                 |
| 2 – Outer mounting brackets (flat side plates)   | 12 – M10 x 1.5 nuts                     |
| 2 – Inner mounting brackets (bent centre plates) | 16 – Solder joiners                     |
| 8 – M10 x 85 x 1.5 hex bolts                     | 8 – 300mm long single core wire         |
| 4 – M10 x 40 x 1.5 bolts                         | 4 – 250mm length 10mm convoluted tubing |
| 24 – M10 flat washers                            | 14 – 150mm cable ties                   |



East Coast Bullbars (ECB Pty Ltd)

Tel: 07 3897 5700

Fax: 07 3283 1168

ecb@ecb.com.au www.ecb.com.au

29 Snook St  
Clontarf QLD 4019  
Australia

Po Box 122  
Margate QLD 4019  
Australia



Figure 1



Figure 2



Figure 3

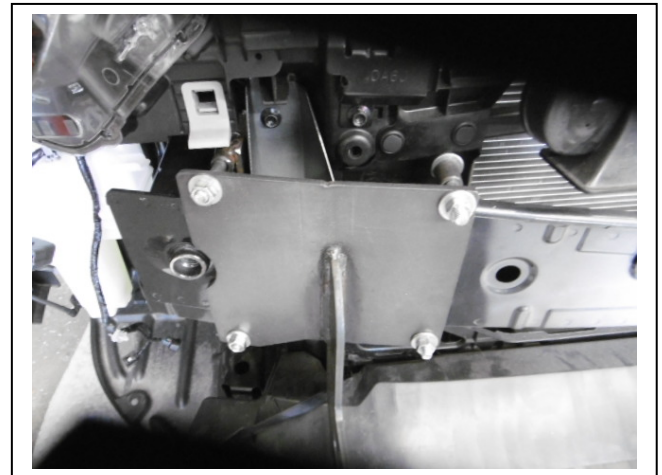


Figure 4

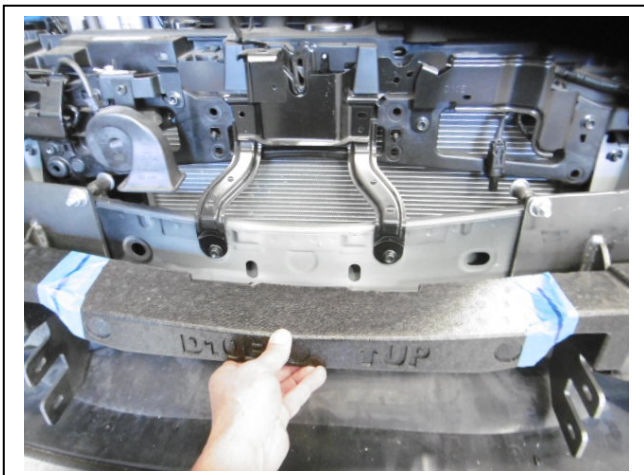


Figure 5



Figure 6



**WORLD'S BEST  
ALLOY BULLBARS**

**East Coast Bullbars (ECB Pty Ltd)**

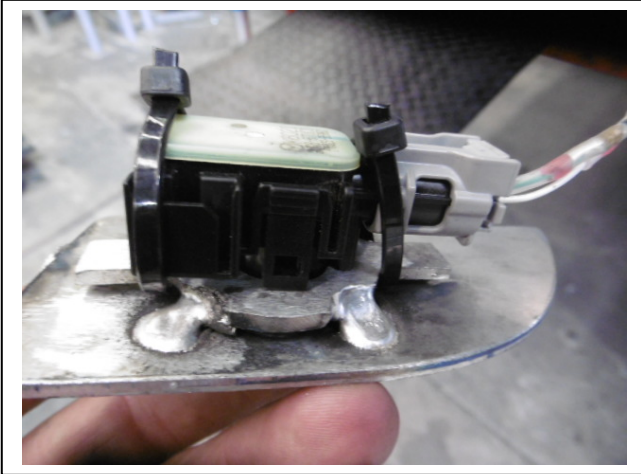
Tel: 07 3897 5700

Fax: 07 3283 1168

ecb@ecb.com.au www.ecb.com.au

29 Snook St  
Clontarf QLD 4019  
Australia

Po Box 122  
Margate QLD 4019  
Australia



**Figure 7**



**Figure 8**



**Figure 9**



**Figure 10**



**Figure 11**



**Figure 12**



**WORLD'S BEST  
ALLOY BULLBARS**

**East Coast Bullbars (ECB Pty Ltd)**

Tel: 07 3897 5700

Fax: 07 3283 1168

ecb@ecb.com.au www.ecb.com.au

29 Snook St  
Clontarf QLD 4019  
Australia

Po Box 122  
Margate QLD 4019  
Australia



**Figure 13**



**Figure 14**



**Figure 15**



**WORLD'S BEST  
ALLOY BULLBARS**

**East Coast Bullbars (ECB Pty Ltd)**

Tel: 07 3897 5700

Fax: 07 3283 1168

ecb@ecb.com.au www.ecb.com.au

29 Snook St  
Clontarf QLD 4019  
Australia

Po Box 122  
Margate QLD 4019  
Australia

## *We value your comments*

Dear Fitter,

ECB would like to know how you went with the installation of this product. We value your comment and may need to contact you to clarify some details so please complete your contact details clearly.

We would appreciate if you could complete as many of the following details as possible.

|                               |  |
|-------------------------------|--|
| <b>Your Name:</b>             | <b>Your contact No.</b>                                  |
| <b>Product Part No.</b>       | <b>Product Invoice No.</b>                               |
| <b>Product Description:</b>   | <b>Make, model, and year of vehicle:</b>                 |
| <b>Product Work Order No.</b> | <b>Company your from/Company product purchased from:</b> |

**Date of Fitment:** \_\_\_ / \_\_\_ / \_\_\_

Was the fitting hardware supplied complete?

Yes

No

If no what was not supplied

---

---

Did the installation go well?

Yes

No

Please provide comments

---

---

---

Please draw diagrams if you need to.

**Post to**  
Reply Paid 122  
PO Box 122  
Margate QLD 4019

**Fax to**  
(07) 3283 1168



**WORLD'S BEST  
ALLOY BULLBARS**

**East Coast Bullbars (ECB Pty Ltd)**

Tel: 07 3897 5700

Fax: 07 3283 1168

ecb@ecb.com.au www.ecb.com.au

29 Snook St  
Clontarf QLD 4019  
Australia

Po Box 122  
Margate QLD 4019  
Australia

## **DESPATCH CHECKLIST NBMA60SY, NB6MA60SY, 8MA60SY**

|              |  |   |
|--------------|--|---|
| Work Order # |  | <b>See other side of<br/>this page for<br/>photos of all<br/>mounts</b> |
| Finish:      |  |   |
| Transport:   |  |   |
| Due Date:    |  |   |

OC....1 – Pair front mounting brackets

BK....2 – Outer mounting brackets

BK....2 – inner mounting brackets

BK....1 – Bolt Kit



**Is this product “the best it can be” Yes**  
If **NO** fix before continuing

All parts checked and completed by:

Nut and bolts: \_\_\_\_\_ Date    /    /   

Order control: \_\_\_\_\_ Date    /    /   

Final wrap check: \_\_\_\_\_ Date    /    /



**WORLD'S BEST  
ALLOY BULLBARS**

**East Coast Bullbars (ECB Pty Ltd)**

Tel: 07 3897 5700

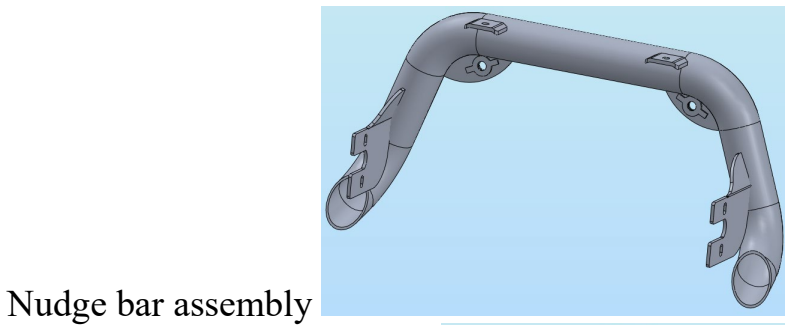
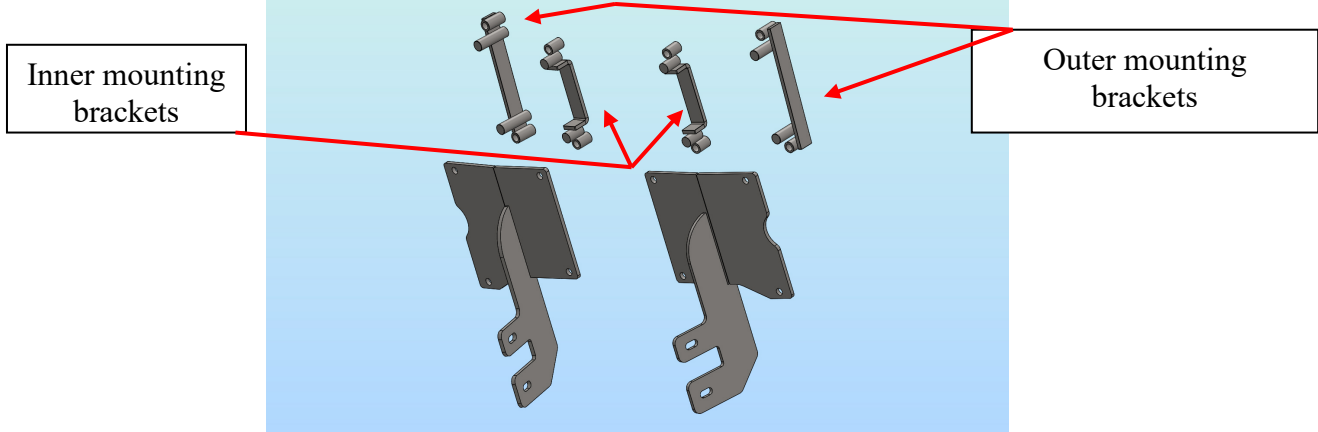
Fax: 07 3283 1168

ecb@ecb.com.au www.ecb.com.au

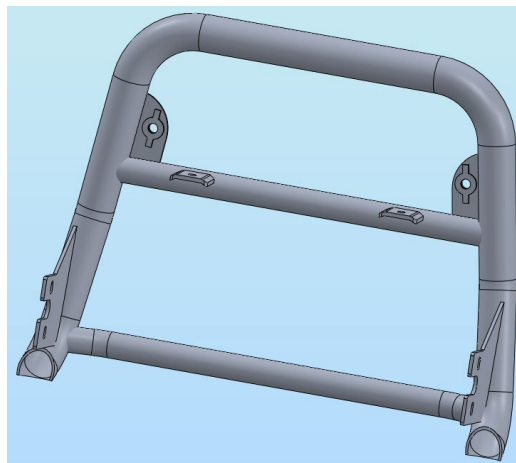
29 Snook St  
Clontarf QLD 4019  
Australia

Po Box 122  
Margate QLD 4019  
Australia

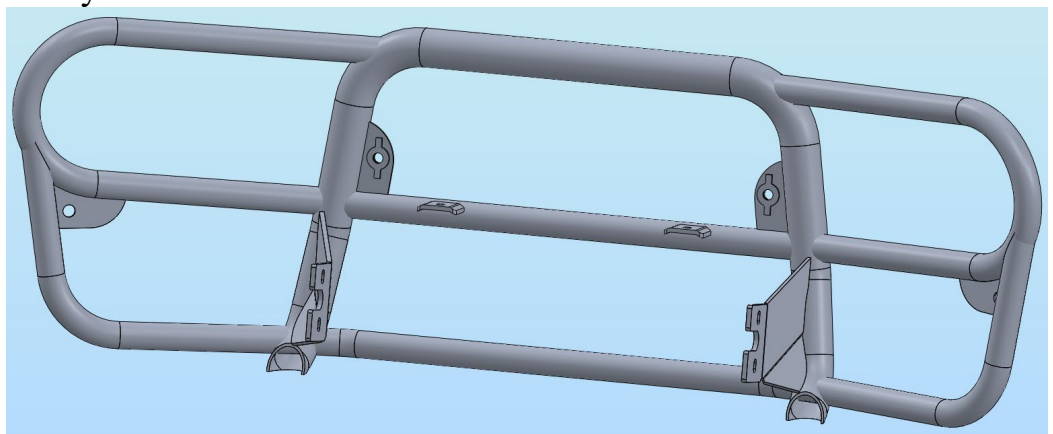
Chassis Mount assembly (1 pair) suits NBMA60SY – NB6MA60SY – 8MA60SY



Nudge bar assembly



Series 2 nudge bar assembly



Type 8 protection bar

\_\_\_\_\_  
Wrapper's initials / Checker initials





**WORLD'S BEST  
ALLOY BULLBARS**

**East Coast Bullbars (ECB Pty Ltd)**

Tel: 07 3897 5700

Fax: 07 3283 1168

ecb@ecb.com.au [www.ecb.com.au](http://www.ecb.com.au)

29 Snook St  
Clontarf QLD 4019  
Australia

Po Box 122  
Margate QLD 4019  
Australia